

Eco-Vent Energy Recovery Ventilator

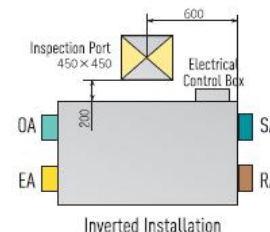
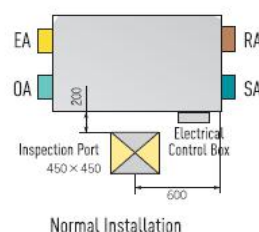
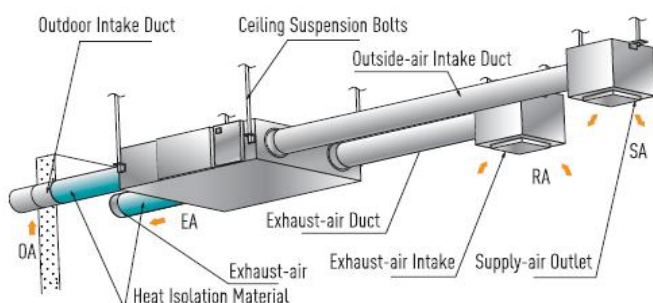
TH series

- Airflow from 600~1300CHM
- Energy recovery
- Crossflow heat exchanger
- Quiet operation
- Double filters
- Easy installation to ceiling
- By-pass function



XHBQ-D6THC~D13THC
XHBQ-D6PMTHC~D13PMTHC

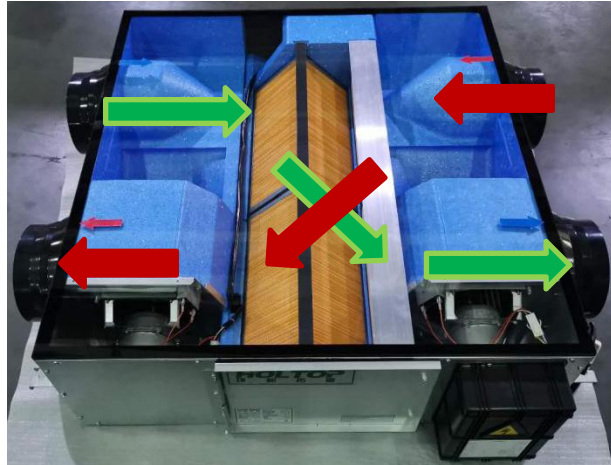
Installation



Model No.	Size(mm)
XHBQ-D6PMTHC/XHBQ-D6THC	867*904*280
XHBQ-D8PMTHC/XHBQ-D8THC	1134*884*388
XHBQ-D10PMTHC/XHBQ-D10THC	1134*1134*388
XHBQ-D13PMTHC/XHBQ-D13THC	1193*1243*388

Type	Model	Airflow m ³ /h			ESP (Pa)			Enthalpy Efficiency (%)						Temp. Eff. (%)			Noise dB(A)			Volt. (V)	Current(A)	Input power (W)	N. W. (Kg)
		L	M	H	L	M	H	Summer			Winter			L	M	H	L	M	H				
								L	M	H	L	M	H										
Standard	XHBQ-D6THC	500	600	600	89	92	97	63	59	59	67	61	61	76	70	70	29	35	39	220	0.96	200	34
	XHBQ-D8THC	700	800	800	92	96	100	57	55	55	63	57	57	74	68	68	34	39	41	220	2	420	53
	XHBQ-D10THC	900	1000	1000	80	85	86	60	58	58	64	62	62	76	70	70	34	38	42	220	2.1	450	61
	XHBQ-D13THC	1000	1300	1300	75	85	90	58	56	56	62	59	59	76	70	70	38	41	43	220	3.2	680	71
PM2.5	XHBQ-D6PMTHC	500	600	600	79	82	87	63	59	59	67	61	61	76	70	70	29	35	39	220	0.92	200	35
	XHBQ-D8PMTHC	700	800	800	82	86	90	57	55	55	63	57	57	74	68	68	34	39	41	220	2	420	54
	XHBQ-D10PMTHC	900	1000	1000	70	76	76	60	58	58	64	62	62	76	70	70	34	38	42	220	2.1	450	62
	XHBQ-D13PMTHC	1000	1300	1300	65	80	80	58	56	56	62	59	59	76	70	70	38	41	43	220	3.2	680	72

ADVANTAGES



1. Integrated EPS (Expanded Polystyrene)foam structure
2. Improve the wind path to increase the heat exchange area, and increase the heat exchange efficiency.
3. Same dimensions for the ventilators with or without PM2.5 filter.Provide convenience for centralized purchasing.
4. It adopts concave-convex butt joint without sealing, and PM2.5 filter is directly inserted into EPS structure to ensure high PM2.5 efficiency.
5. Convenient equipment maintenance with routine and professional maintenance ports.Maintenance persons do not need to repair the motor and wind turbine inside it.
6. Aluminum alloy frame primary filter (built-in rubber and plastic filter cotton).



Professional maintenance