

FLAT CENTRAL VENTILATION SYSTEM

WE MAKE VENTILATION FLEXIBLE

- ELEGANT DESIGN FOR YOUR LOVELY HOME
- NO SPACE LIMITATION
- UNIFORM AIR SUPPLY



The Advantage Of Flat Ventilation System

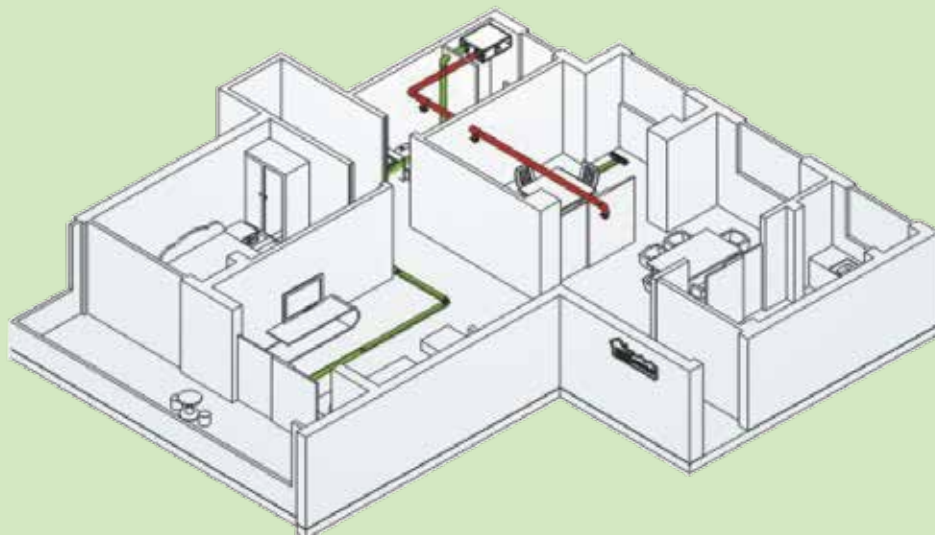
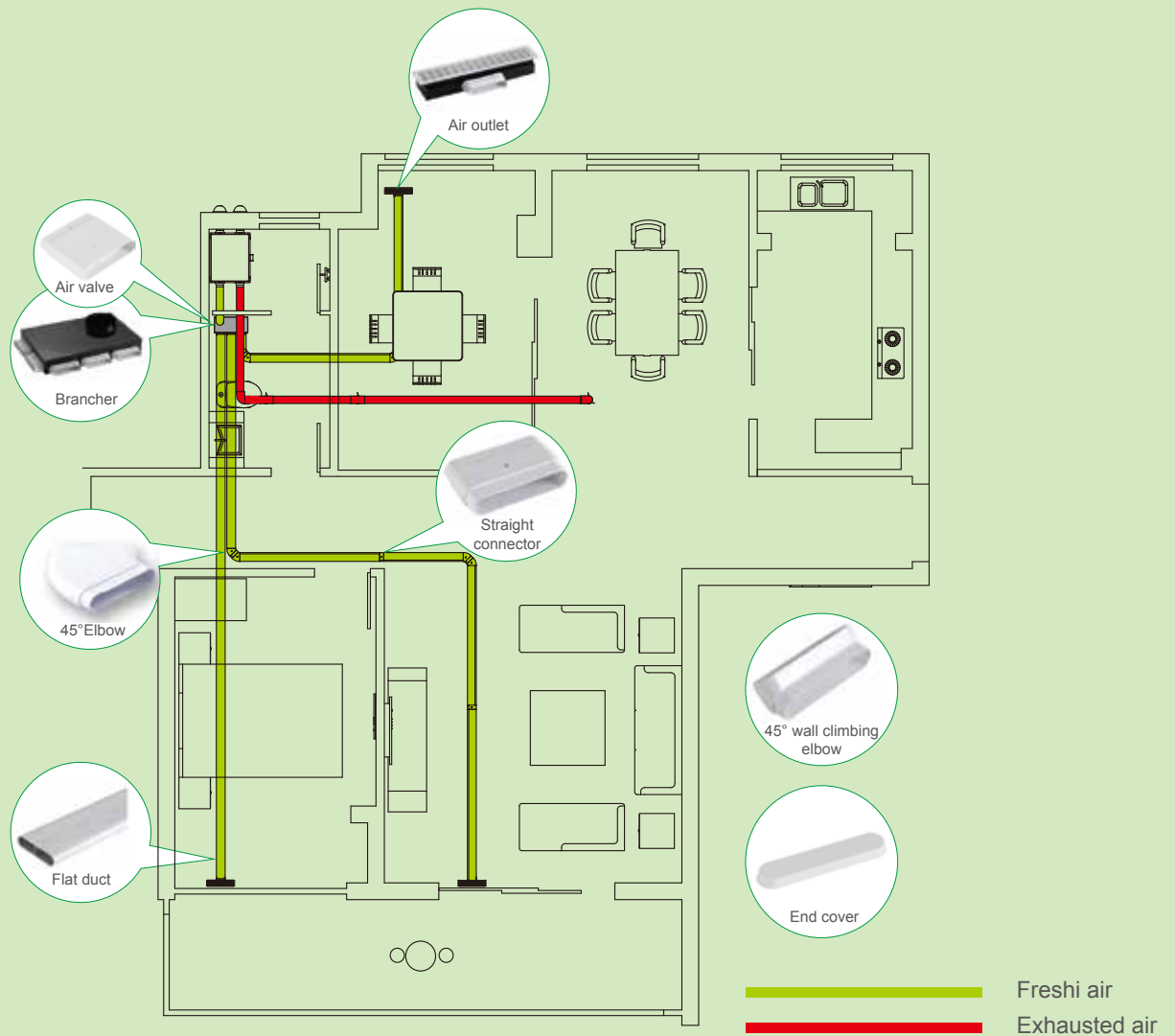
- Distribute the air evenly in the room to increase air circling rate and improve air comfort.
- The height of flat duct is only 3cm, easy to cross underfloor or the wall, it does not affect the wood floors and tile laying.
- Flat air ventilator system does not require use of the building's roof space to accommodate larger air piping and terminal devices.



360° Air Circulation

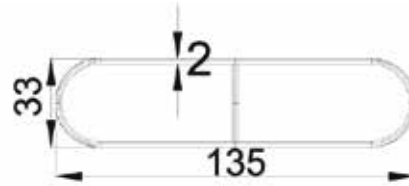


Flat Ventilation System Diagram

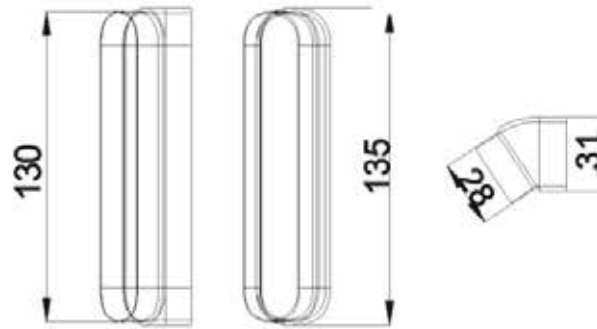


Flat Ventilation Fittings

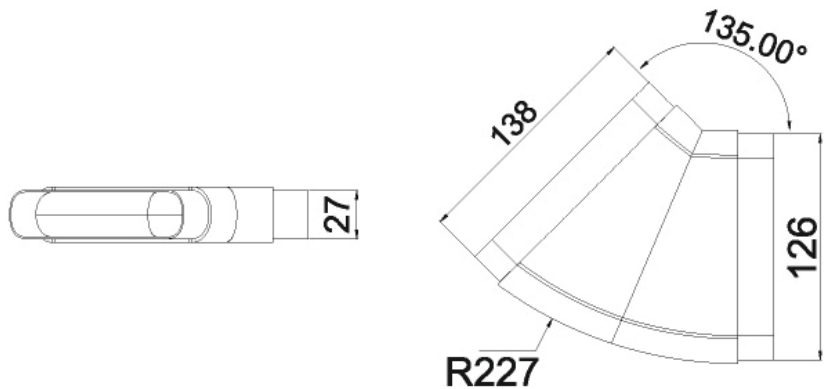
Flat duct



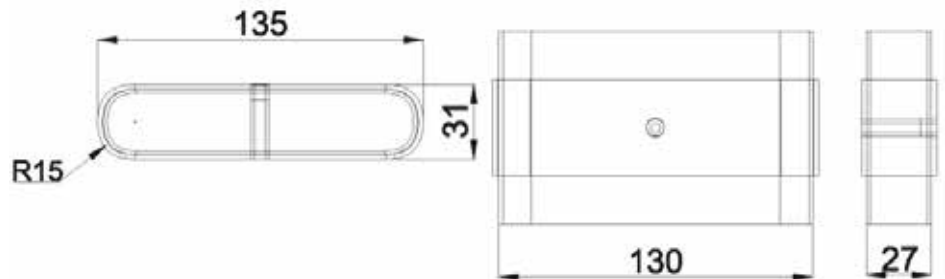
45° wall climbing elbow



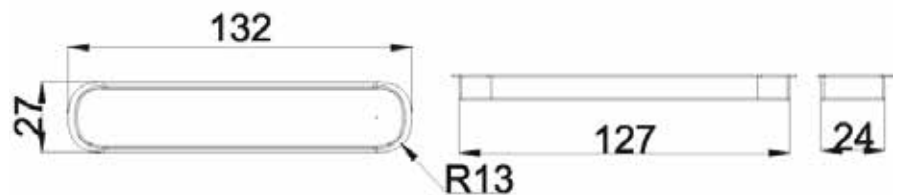
45° Elbow



Straight connector

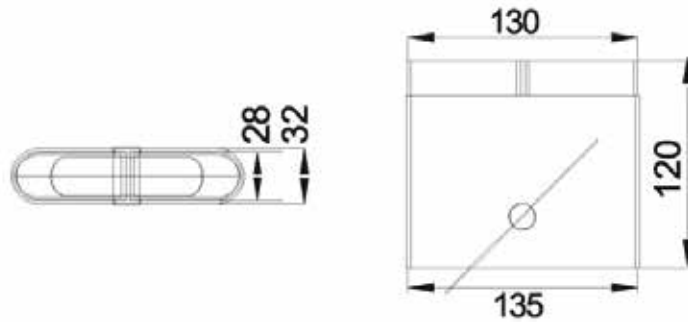


End cover



Flat Ventilation Fittings

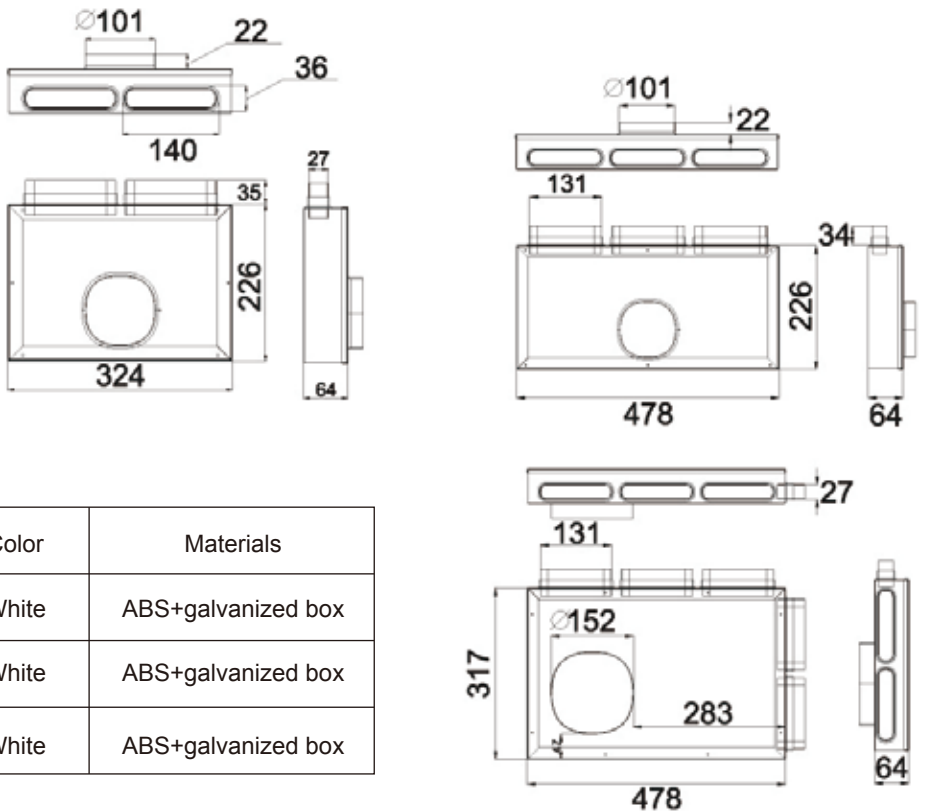
Air valve



Air outlet



Brancher



Model	Specifications	Color	Materials
DSF-2	One to two branches	White	ABS+galvanized box
DSF-3	One to three branches	White	ABS+galvanized box
DSF-5	One to five branches	White	ABS+galvanized box

Performance Data

Duct size (mm)	45° elbow						
	Velocity(m/s)	1	2	3	4	5	6
135x32	Pressure drop (Pa)	0.91	3033	8.50	16.82	27.90	39.71
135x32x5000	Flat duct						
	Velocity (m/s)	1	2	3	4	5	6
	Pressure drop (Pa)	2.73	10.00	19.40	32.70	50.95	72.25
	Pressure drop per meter p#(Pa/m)	0.55	2.00	3.88	6.54	10.19	14.45

Installation



Holtop International Marketing Center

Address: No.12 Zhengyi Ave, Hebei Distrct,Tianjin,China

Tel: 86-22-26420391

Website: www.holtop.net

E-mail: export@holtop.com.cn